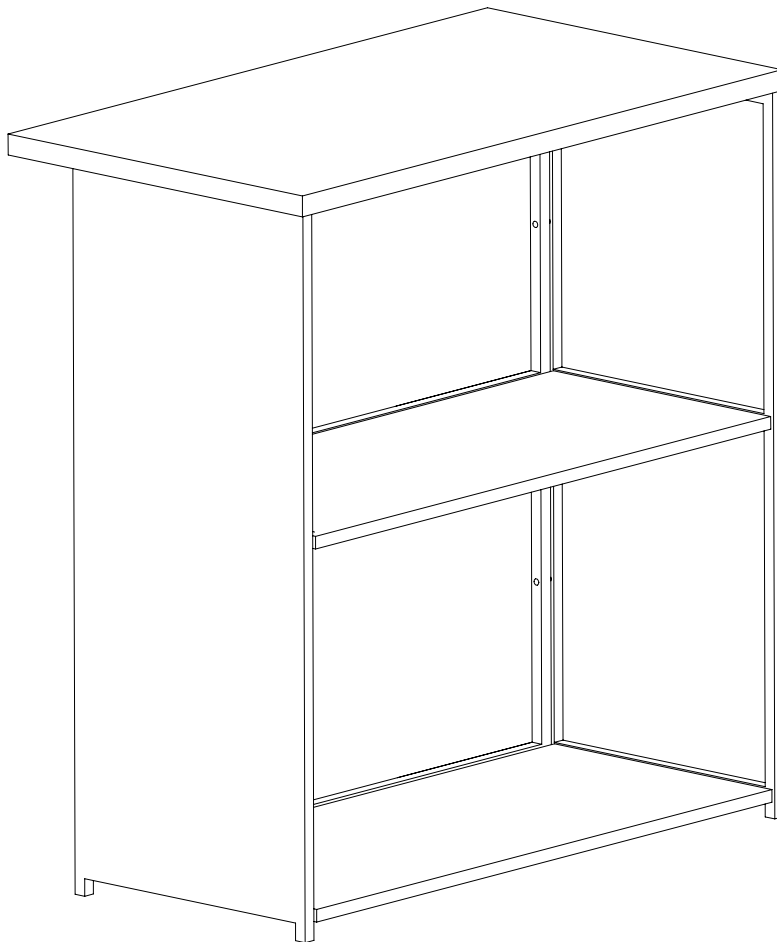
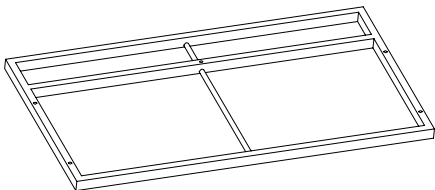
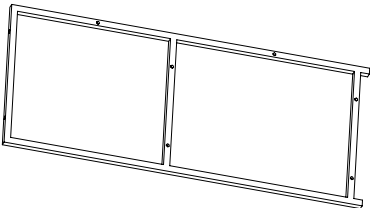
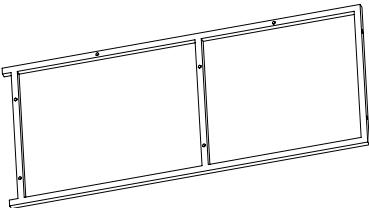
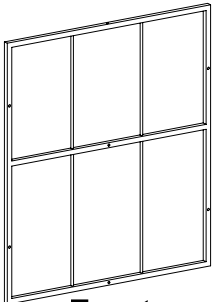
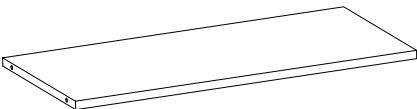




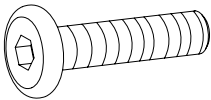
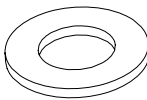
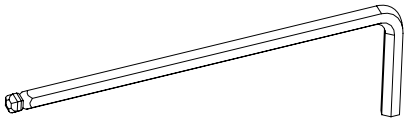
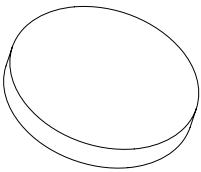
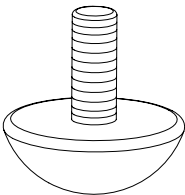
PALM HARBOR OUTDOOR
WICKER 42" BAR
CO7204-BR



PART LIST

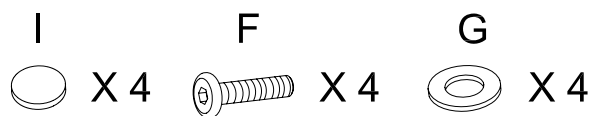
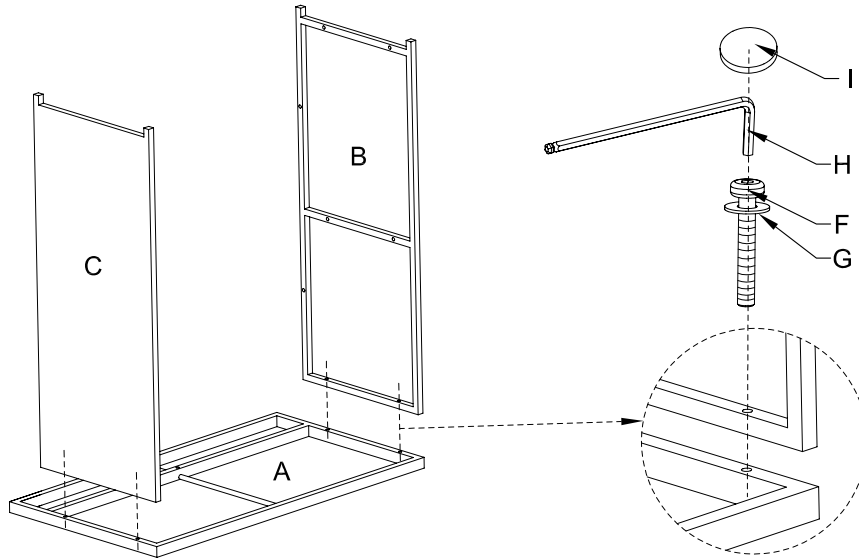
 <p>Top panel</p>		 <p>Left side panel</p>		 <p>Right side panel</p>	
A	1pc	B	1pc	C	1pc
 <p>Front panel</p>		 <p>Shelf</p>			
D	1pc	E	2pcs		

HARDWARE LIST

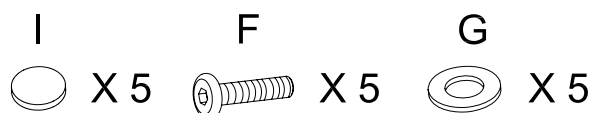
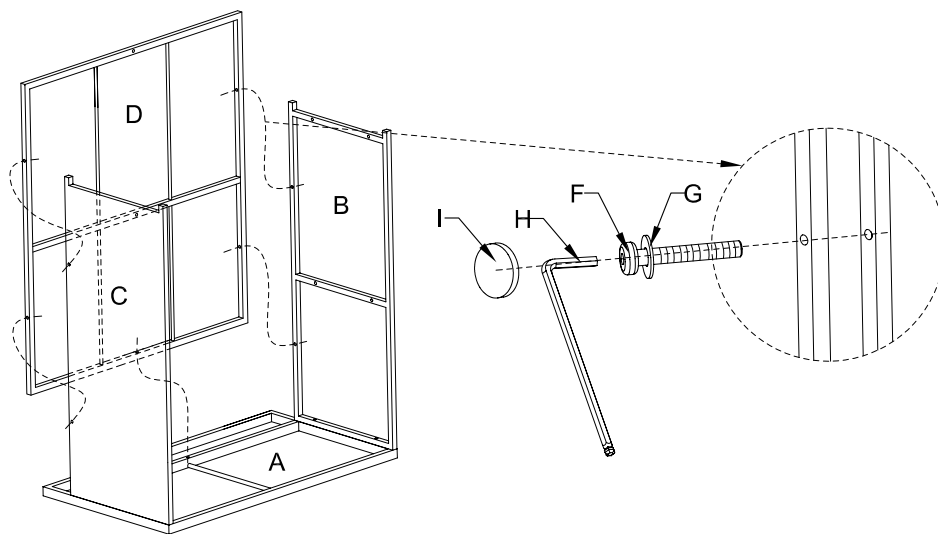
 <p>Bolt(M6*40mm)</p>		 <p>Washer(M6mm)</p>		 <p>Allen Key(M6mm)</p>	
F	19pcs	G	19pcs	H	1pc
 <p>Screw cap</p>		 <p>Adjustable Leveler</p>			
I	19pcs	J	4pcs		

Step 1. Lay top panel (A) down on a flat surface with underside facing up. Attach the left side panel (B) and right side panel (C) to top panel (A) using bolts (F), washers (G), allen key (H) and then cover the bolts with screw caps (I).

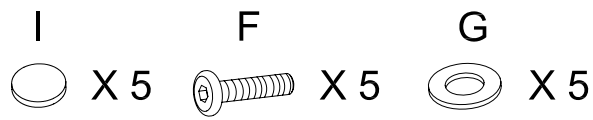
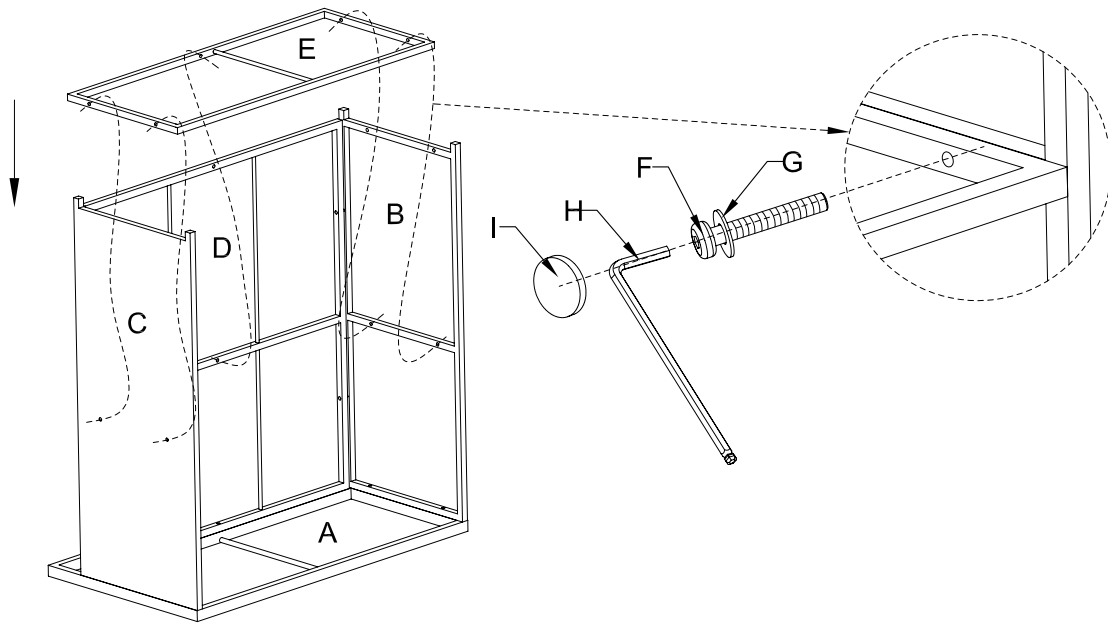
NOTE: Do not fully tighten bolt until all bolts are in place.



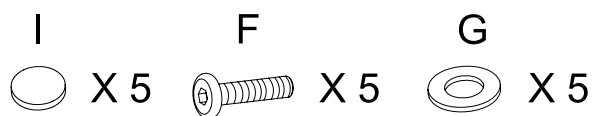
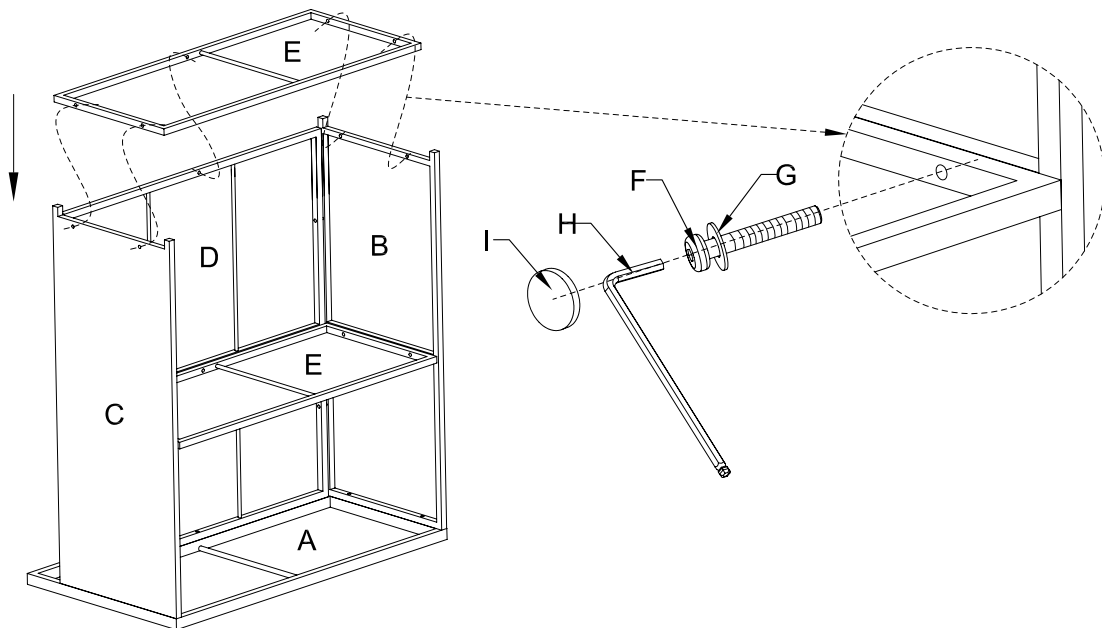
Step 2. Attach front panel (D) to top panel (A), left side panel (B) and right side panel (C) using bolts (F), washers (G), allen key (H) and then cover the bolts with screw caps (I).



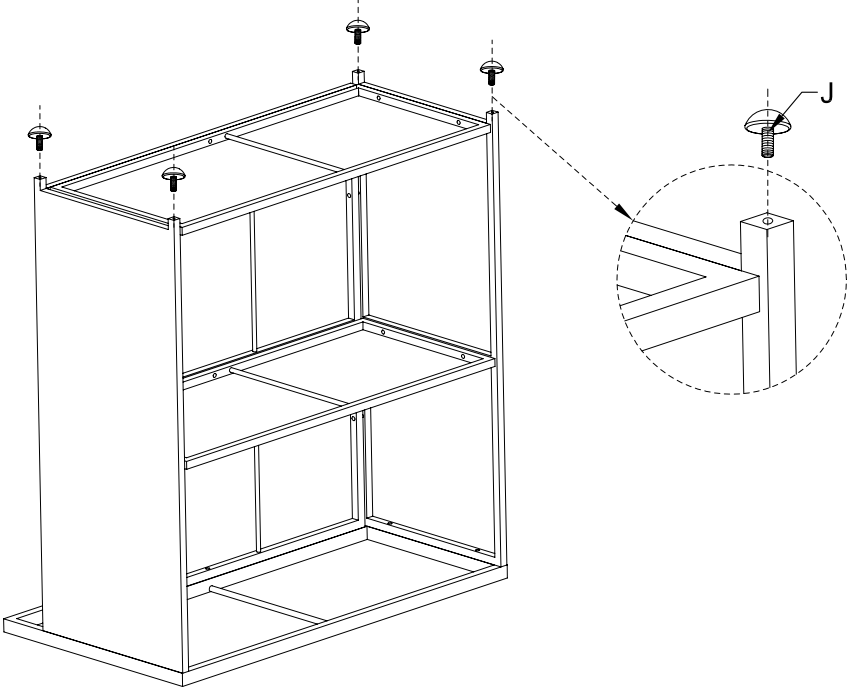
Step 3. Attach one shelf (E) to front panel (D), left side panel (B) and right side panel (C) using bolts (F), washers (G), allen key (H) and then cover the bolts with screw caps (I).



Step 4. Attach the other shelf (E) to front panel (D), left side panel (B) and right side panel (C), using bolts (F), washers (G), allen key (H) and then cover the bolts with screw caps (I).



Step 5. Screw the Adjustable Levelers (J) into the pre-drilled holes, to the desired position, on the bottom of the bar.



J
 X 4

Step 6. Turn the assembled bar upright on a flat surface.

